

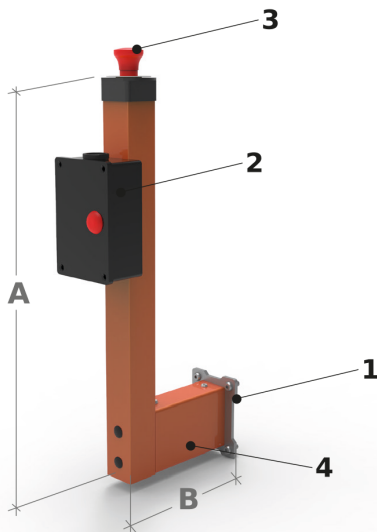


»» **LATHE GUARDS**

# CKH 02

## PRODUCT SHEET

Last update:  
10/04/2023



### FEATURES

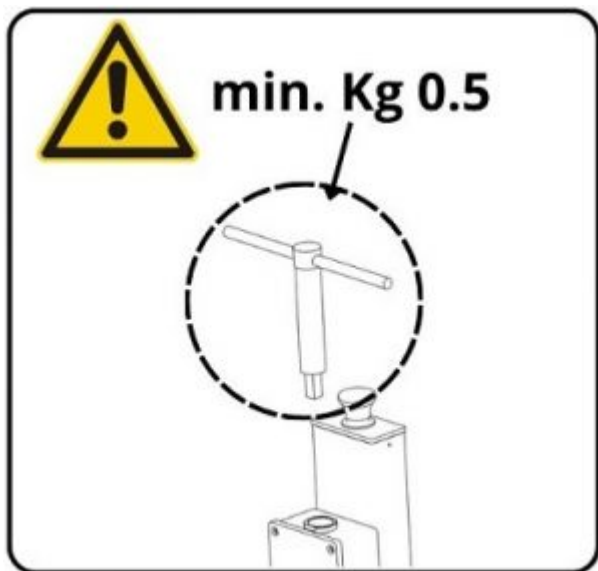
1. Iron plate for machine connection
2. Box with inductive sensor and led warning light
3. Emergency pushbutton
4. Aluminum telescopic profile - orange RAL2004

This device allows the key of the lathe spindle to be placed safely. It can be secured only on the machine. Equipped with housing for the spindle key and inductive sensor which prevents the lathe motor to start when the key is not in. Also provided with an emergency pushbutton and warning light for key absence.

The item is supplied complete with a bushing kit (kit consisting of three bushings: Ø10mm, Ø12mm and Ø14mm).

Our protections comply with the machinery directive 2006/42/CE





CODE	A	B	KG
CKH 02	550	205-266	6.2
CKH 02/S	...	...	...

Our protections comply with the machinery directive 2006/42/CE



via Pio la Torre, 5 - 61010 Tavullia (PU) - Italy - VAT ID: 03657250407  
 Phone n°: +39 0721 476381 - Fax: +39 0721 476608 - Mail: [info@tecnopiu.it](mailto:info@tecnopiu.it)